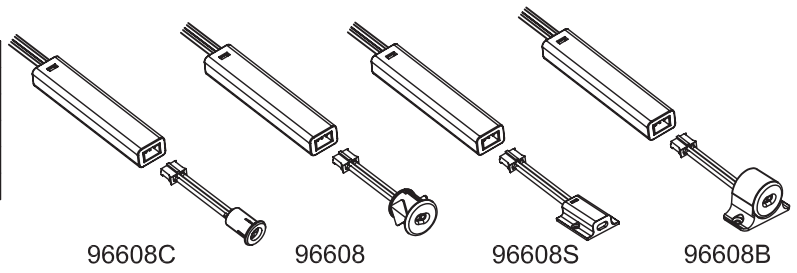


Product Name: Door Sensor Switch

Product description: This Door Sensor Switch is an exclusively design for Class III insulation appliance based on the application of IR sensor switch.
Function description: when the target object is in the detecting range, the lamp switches off, when there is no object in the detecting range, the lamp switches on.

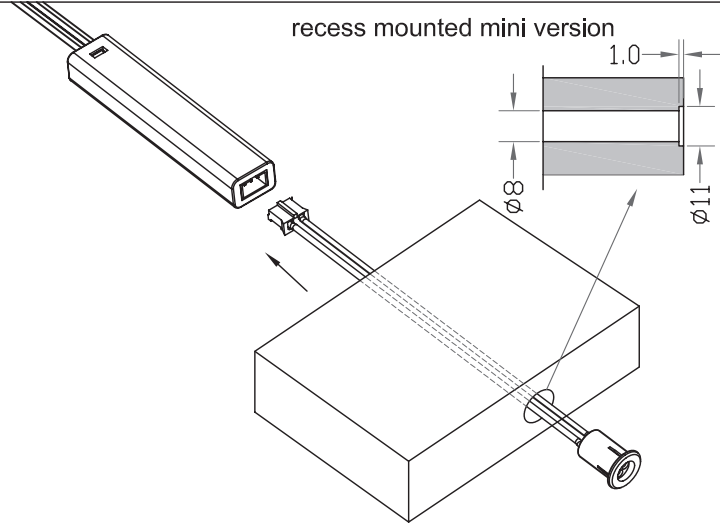
Specifications:

input voltage	DC12V	DC24V
output voltage	DC12V	DC24V
output current	3A max.	3A max.
quiescent current	6mA	6mA
working temperature	-20~+45°C	-20~+45°C
detection range	4~20cm	4~20cm



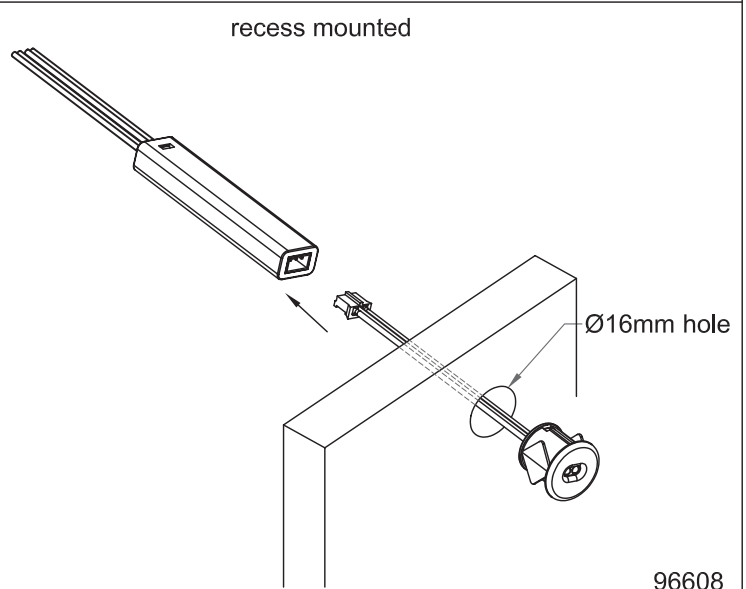
Installation Instructions:

recess mounted mini version



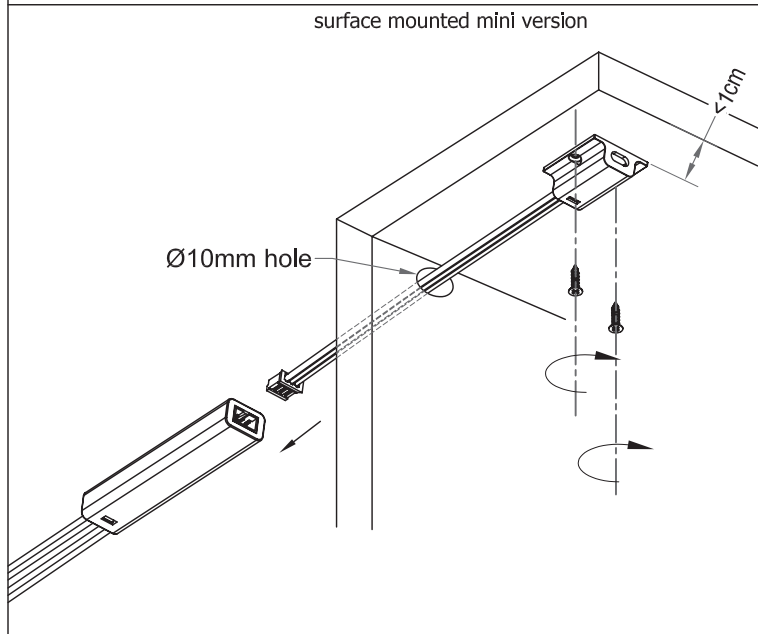
96608C

recess mounted



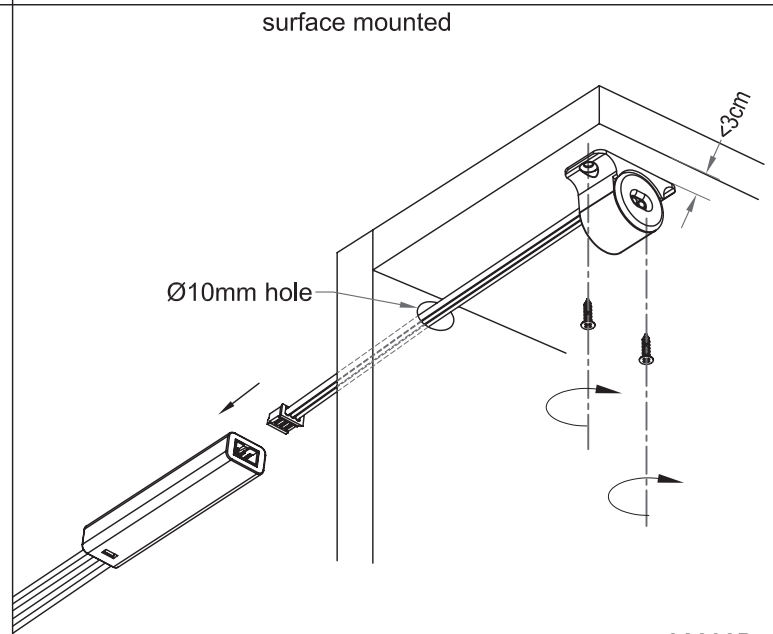
96608

surface mounted mini version



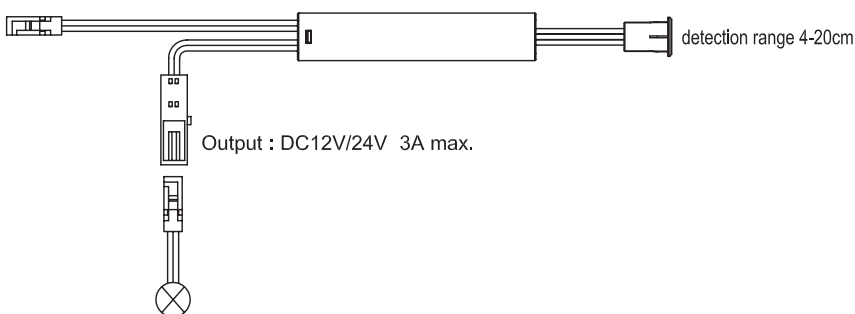
96608S

surface mounted



96608B

Input : DC12V/24V



Output : DC12V/24V 3A max.

detection range 4-20cm

